

THREADED BALL VALVE SERIES

丝扣球阀系列

丝扣螺纹球阀和法兰球阀是同属一个类型的阀门，区别在它的关闭件是个球体，球体绕阀体中心线作旋转来达到开启、关闭的一种阀门。球阀在管路中主要用来做切断、分配和改变介质的流动方向。二片式球阀，三片式球阀，是近年来被广泛采用的一种新型阀门。

Threaded ball valve and flange gate valve are the same type of valve, the difference is that its closing part is a sphere, and the sphere rotates around the center line of the valve body to achieve opening and closing. Ball valves are mainly used to cut off, distribute and change the flow direction of the medium in the pipeline. Two-piece ball valve and three-piece ball valve are a new type of valve that has been widely used in recent years.



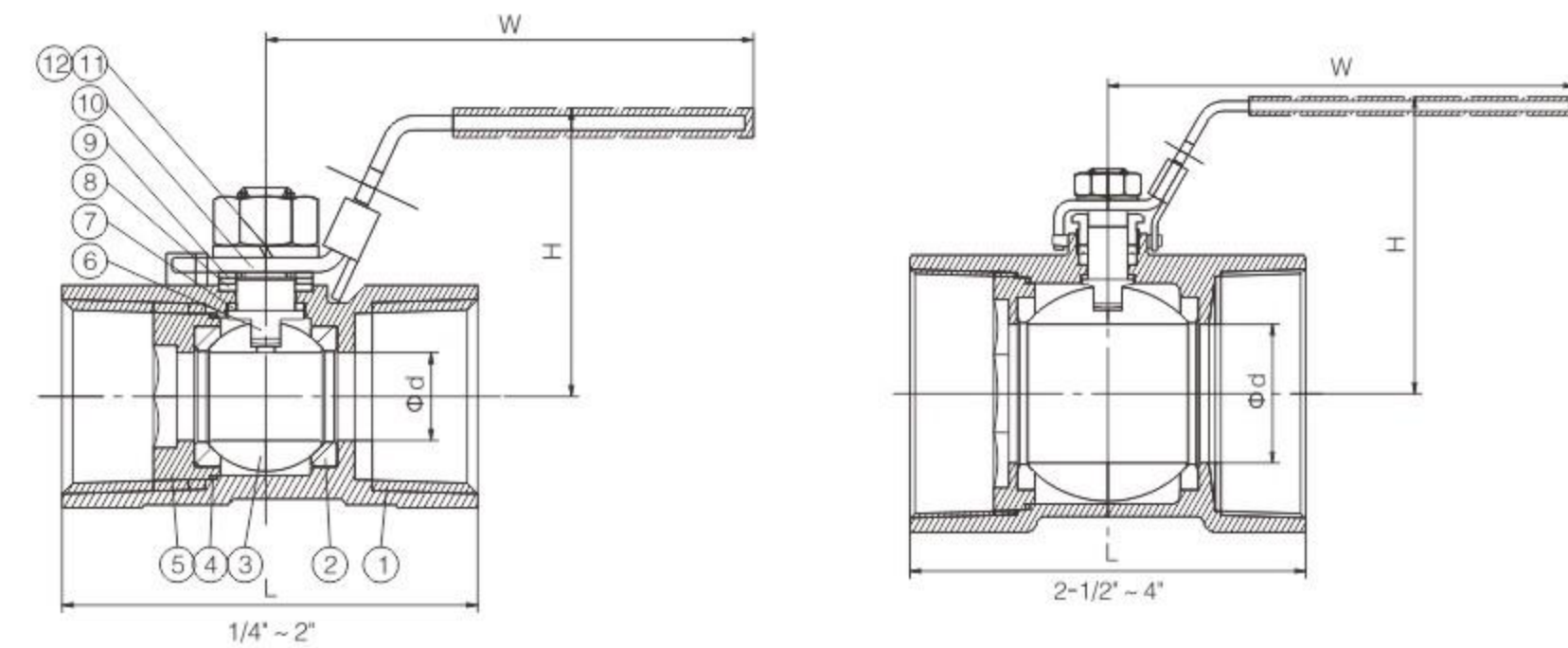
一片式内螺纹球阀

1-PC Ball valve thread end

1PC-Q11F-1000

特点Features

- 1/4"~4" (DN6~DN100)
- 工作压力W.P:1000WOG(PN63)
- 工作温度W.T.: -20°C~180°C
- 精密铸造Investment casting
- 防爆阀杆Blow-out proof stem
- 螺纹类型Thread type: ASME B1.20.1(NPT),BSP BSPT
DIN 259/DIN 2999, BS 21,
ISO 288-1,ISO 7-1



材料表
MATERIALS LIST

零件 PARTS		材料 MATERIAL		
1	阀体 BODY	WCB	CF8	CF8M
2	阀座 SEAT		PTFE	
3	球体 BALL	CF8	CF8	CF8M
4	垫片 GASKET		PTFE	
5	阀盖 BONNET	WCB	CF8	CF8M
6	阀杆 STEM	304	304	316
7	阀杆垫圈 STEMWASHER		PTFE	
8	填料 PACKING		PEFE	
9	垫圈 WASHER		304	
10	手柄 HANDLE		304+PVC	
11	弹簧垫圈 SPRING WASHER		304	
12	螺母 NUT		304	

尺寸 Dimensions

Unit:mm

尺寸 SIZE	d	L	H	W	
1/4"	DN6	5	40.5	36	80
3/8"	DN10	7	43.5	38	80
1/2"	DN15	9	53	42	110
3/4"	DN20	12	57.5	46	110
1"	DN25	15	68	49	115
1-1/4"	DN32	20	76	54	115
1-1/2"	DN40	25	81.5	62	160
2"	DN50	32	93	69	160
2-1/2"	DN65	40	112	85	190
3"	DN80	50	132	96	220
4"	DN100	65	185	122	250



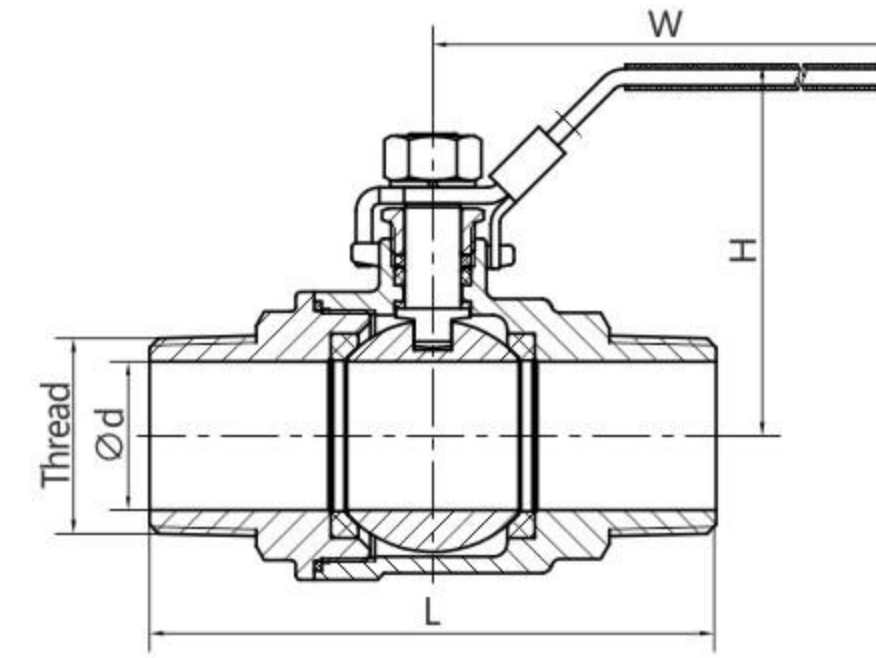
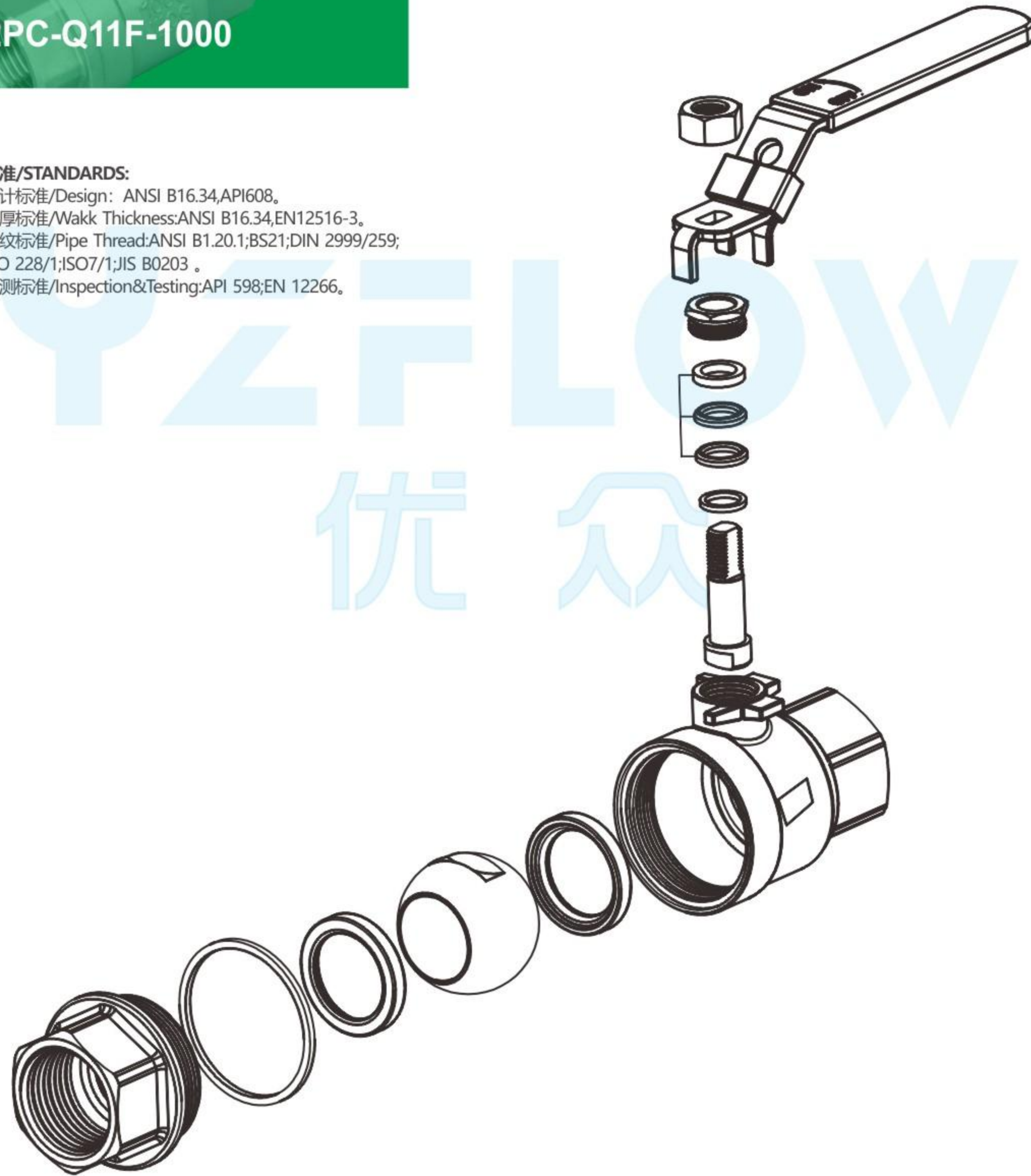
二片式手动螺纹球阀

2PC manual thread ball valve

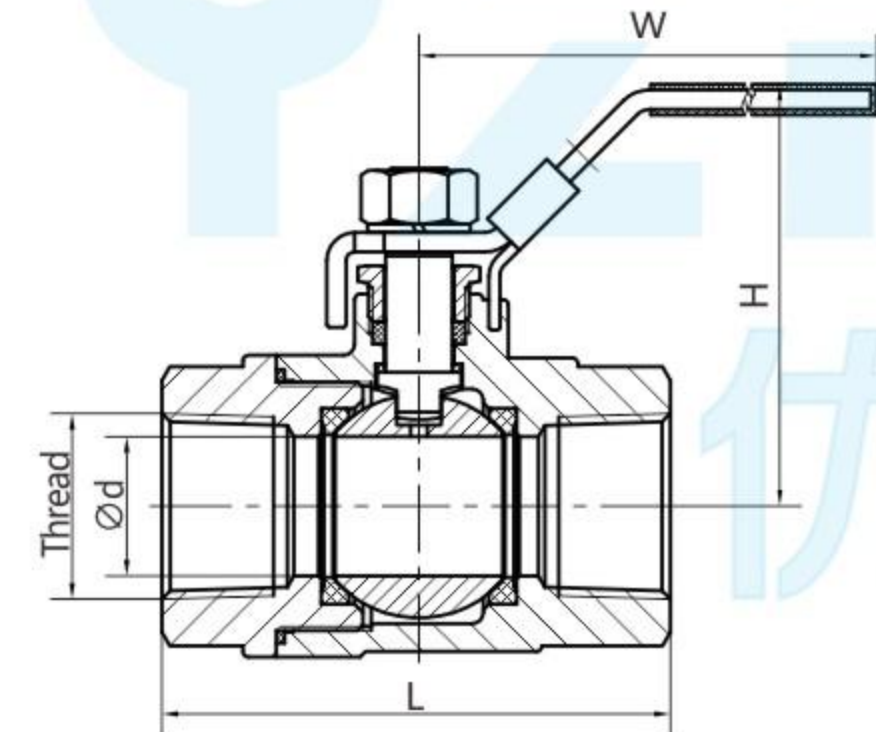
2PC-Q11F-1000

标准/STANDARDS:

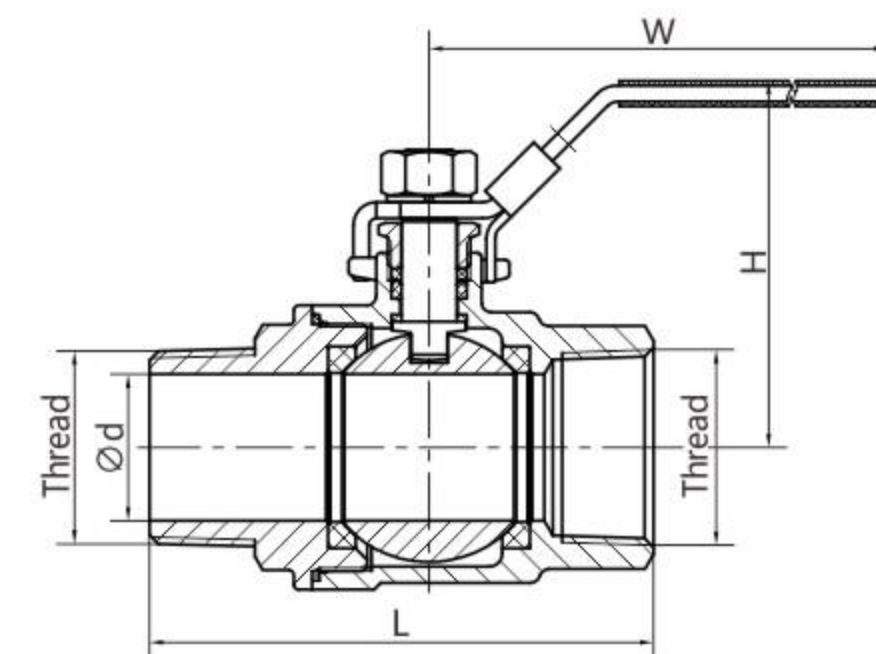
设计标准/Design: ANSI B16.34,API608。
壁厚标准/Wall Thickness:ANSI B16.34,EN12516-3。
螺纹标准/Pipe Thread:ANSI B1.20.1;BS21;DIN 2999/259;
ISO 228/1;ISO7/1;JIS B0203。
检测标准/Inspection&Testing:API 598;EN 12266。



外螺纹球阀



2000psi



一端内螺纹 一端外螺纹
One end female thread/one end male thread

尺寸 Dimensions

Unit:mm

SIZE	d	L	H	W
1/4"	10	80	49	90
3/8"	12	80	49	90
1/2"	15	90	52	110
3/4"	20	95	63	120
1"	25	105	67	130
1 1/4"	32	120	80	140
1 1/2"	38	135	93	175
2"	49	155	110	175

尺寸 Dimensions

Unit:mm

SIZE	d	L	H	W
1/4"	10.5	60	55	100
3/8"	12	60	58	100
1/2"	15	75	61	110
3/4"	20	80	71	130
1"	25	90	75.5	160
1 1/4"	32	110	83	160
1 1/2"	38	120	93	175
2"	48	140	110	220

尺寸 Dimensions

Unit:mm

SIZE	d	L	H	W
1/4"	10	68	49	90
3/8"	12	68	49	90
1/2"	15	76	52	110
3/4"	20	85	63	120
1"	25	95	67	130
1 1/4"	32	110	80	140
1 1/2"	38	125	93	175
2"	49	140	110	175

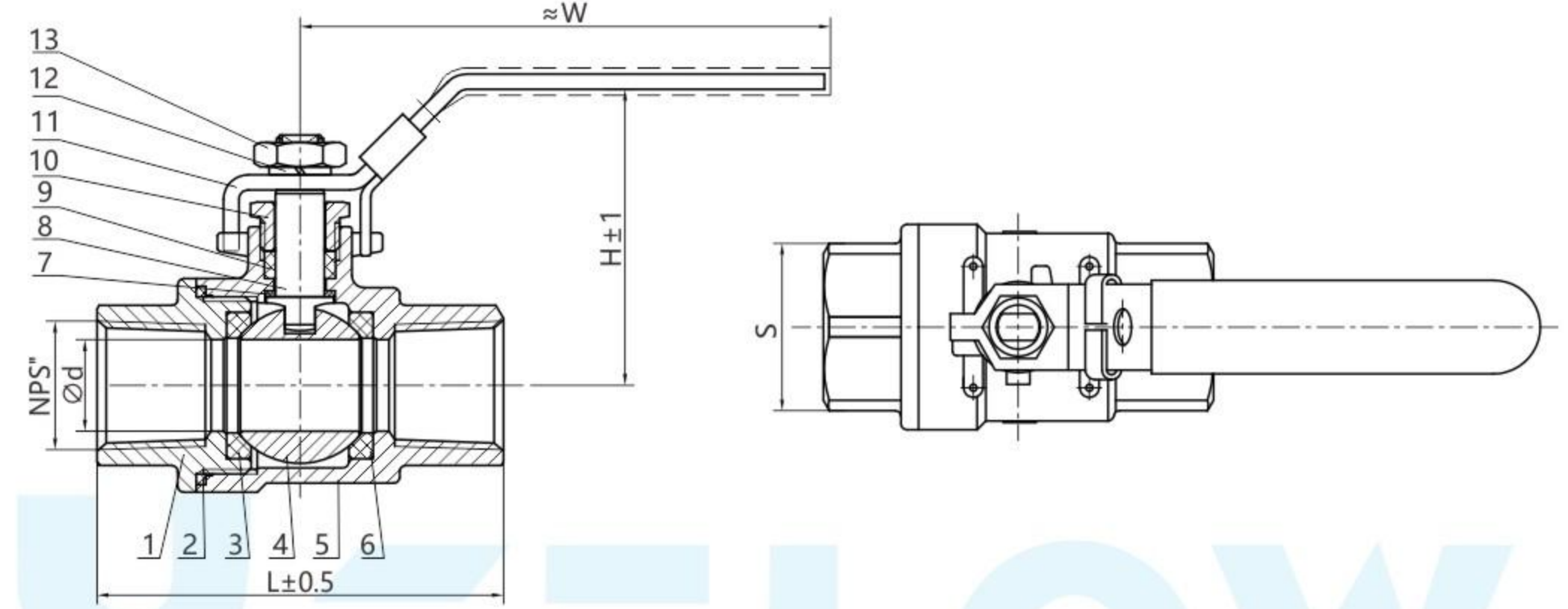
二片式手动螺纹球阀

2PC manual thread ball valve

2PC-Q11F-1000

性能规范 Performance Specifications			
公称压力 Nominal pressure		1000PSI	
试验压力 Test pressure	强度试验 Strength test	10.4	Mpa
	密封试验 Seal test	7.6	
	气密封试验 Air tightness test	0.6	
适用介质 Applicable media	水、油、气品等 Water, oil, gas, etc.		
适用温度 proper temperature	-29~+120°C		

序号 Number	零件名称 Name	材质 Material
1	端盖 end cap	A351 CF8M
2	密封线 sealing line	PTFE/PPL
3	阀座 valve seat	PTFE/PPL
4	球体 sphere	SS316
5	阀体 valve body	A351 CF8M
6	阀座 valve seat	PTFE/PPL
7	减磨垫 Anti-wear pads	PTFE/PPL
8	阀杆 stem	SS316
9	V型填料 V-shaped packing	PTFE/PPL
10	并帽 And cap	SS304
11	弹垫 spring pad	SS304
12	手柄 handle	SS304
13	螺母 nut	SS304



尺寸 Dimensions

Unit:mm

NPS	d	L	S(六角对边)	H	W
1/2"	DN15	15	24	47	95
3/4"	DN20	20	29	53	100
1"	DN25	25	36	65	100
1 1/4"	DN32	32	45	73	125
1 1/2"	DN40	38	52	77	130
2"	DN50	49	64	92	165
2 1/2"	DN65	65	80	130	220
3"	DN80	78	93	145	270
4"	DN100	100	122	170	330



二片式高平台内螺纹球阀

2PC high platform internal thread ball valve

2PC-Q11F-1000

技术要求

1. 阀门的设计与制造按ANSI/ASME B16.34的规定。
2. 阀门的连接螺纹按ISO 7/1或ANSI/ASME B1.20.1的规定。
3. 阀门的检验与试验按API 598的规定。

Technical requirements

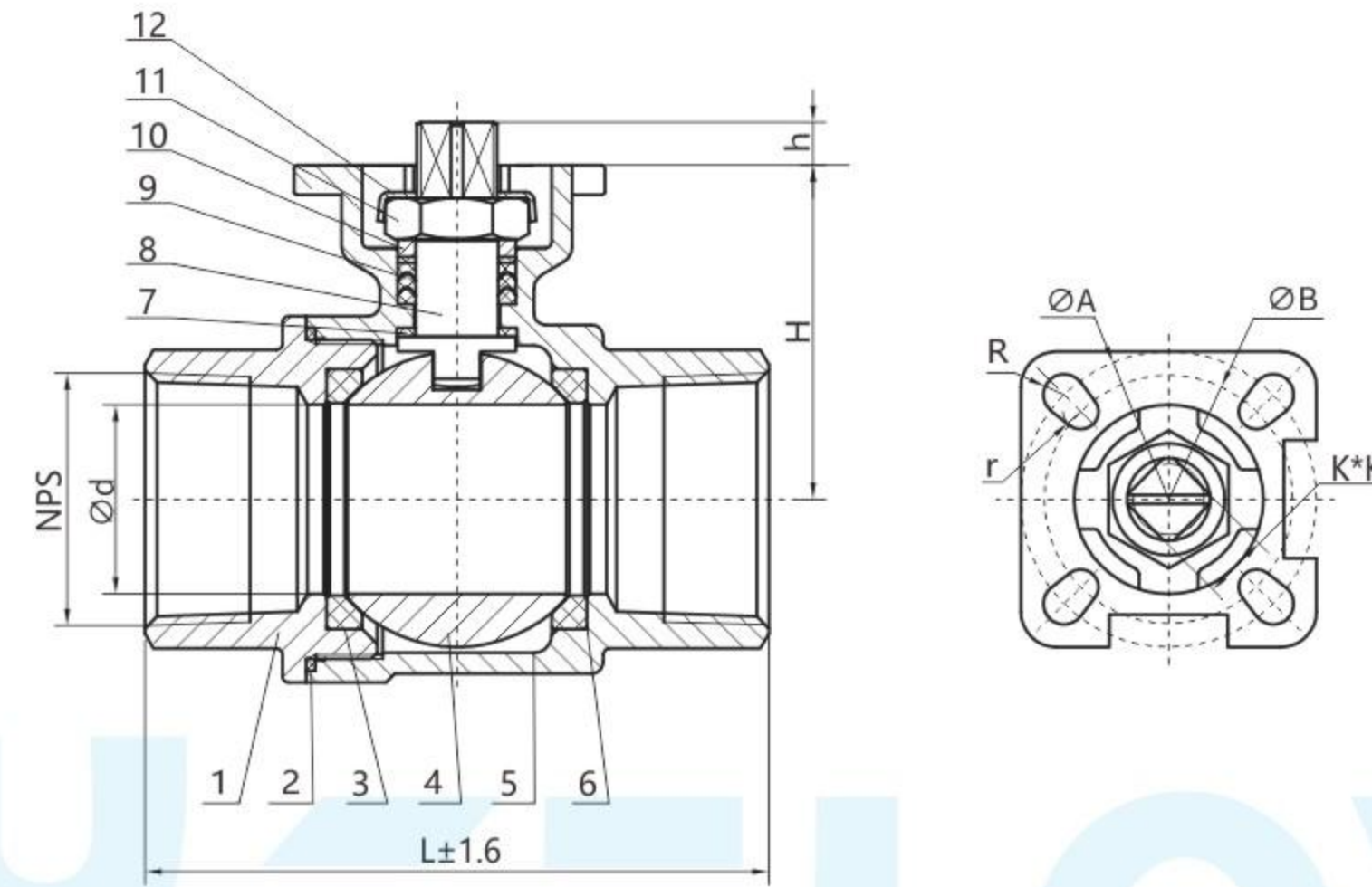
1. Valves shall be designed and manufactured according to ANSI/ASME B16.34.
2. The connection thread of the valve shall comply with ISO 7/1 or ANSI/ASME B1.20.1.
3. Valves shall be inspected and tested in accordance with API 598.

性能规范

Performance Specifications

公称压力 Nominal pressure		1000PSI	
试验压力 Test pressure	强度试验 Strength test	10.4	Mpa
	密封试验 Seal test	7.6	
	气密封试验 Air tightness test	0.6	
适用介质 Applicable media	水、油、气品等 Water, oil, gas, etc.		
适用温度 proper temperature	-29~+120°C		

序号 Number	零件名称 Name	材质 Material	
1	端盖 end cap	A351 CF8M	A351 CF8
2	密封线 sealing line	PTFE/PPL	PTFE/PPL
3	阀座 valve seat	PTFE/PPL	PTFE/PPL
4	球体 sphere	SS316	SS304
5	阀体 valve body	A351 CF8M	A351 CF8
6	阀座 valve seat	PTFE/PPL	PTFE/PPL
7	减磨垫 Anti-wear pads	PTFE/PPL	PTFE/PPL
8	阀杆 stem	SS316	SS304
9	V型填料 V-shaped packing	PTFE	PTFE
10	压圈 Pressing ring	SS304	SS304
11	螺母 Nut	SS304	SS304
12	放松盖 Release cover	SS304	SS304



尺寸 Dimensions

Unit:mm

SIZE		d	L	H	A	B	R	r	K	h
1/2"	DN15	15	62	37	42	36	3	3	9	10
3/4"	DN20	20	72	45	42	36	3	3	9	10
1"	DN25	25	82	55	50	42	3.5	3	11	12
1¼"	DN32	32	96	63	50	42	3.5	3	11	12
1½"	DN40	38	105	70	70	50	4.5	3.5	14	15
2"	DN50	49	120	83	70	50	4.5	3.5	14	15
2½"	DN65	65	145	100	102	70	5.5	4.5	17	18
3"	DN80	78	170	130	102	70	5.5	4.5	17	18



德标二片式内螺纹球阀

German standard 2PC female thread ball valve

2PC-Q11F-1000

技术要求

1. 阀门的设计与制造按ASME B16.34/EN12516-3的规定。
2. 阀门的结构长度按DN13202-3的规定。
3. 阀门的连接螺纹按ISO 7/1或ASME B1.20.1/DIN2999/259的规定。
4. 阀门的检验与试验按API 598/EN12266的规定。

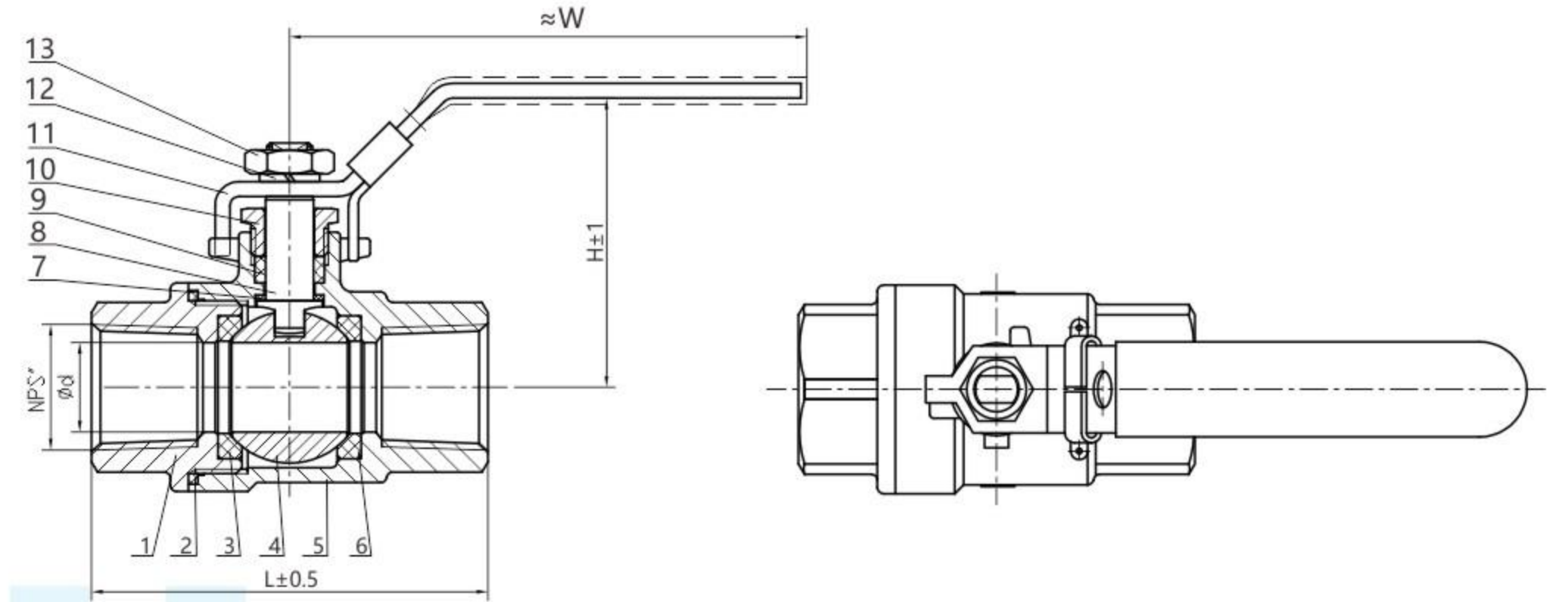
Technical requirements

1. The design and manufacture of the valve are in accordance with the regulations of ASME B16.34/EN12516-3.
2. The structural length of the valve is in accordance with the provisions of DN13202-3.
3. The connection thread of the valve is in accordance with ISO 7/1 or ASME B1.20.1/DIN2999/259.
4. The inspection and test of the valve shall be in accordance with the provisions of API 598/EN12266.

性能规范 Performance Specifications

公称压力 Nominal pressure		1000PSI	
试验压力 Test pressure	强度试验 Strength test	10.4	Mpa
	密封试验 Seal test	7.6	
	气密封试验 Air tightness test	0.6	
适用介质 Applicable media	水、油、气品等 Water, oil, gas, etc.		
适用温度 proper temperature	-29~+120°C		

序号 Number	零件名称 Name	材质 Material	
1	端盖 end cap	A351 CF8M	A351 CF8
2	密封线 sealing line	PTFE/PPL	PTFE/PPL
3	阀座 valve seat	PTFE/PPL	PTFE/PPL
4	球体 sphere	SS316	SS304
5	阀体 valve body	A351 CF8M	A351 CF8
6	阀座 valve seat	PTFE/PPL	PTFE/PPL
7	减磨垫 Anti-wear pads	PTFE/PPL	PTFE/PPL
8	阀杆 stem	SS316	SS304
9	V型填料 V-shaped packing	PTFE/PPL	PTFE
10	并帽 And cap	SS304	SS304
11	弹垫 spring pad	SS304	SS304
12	手柄 handle	SS304	SS304
13	螺母 nut	SS304	SS304



尺寸 Dimensions

Unit:mm

NPS	d	L	H	W
1/2"	DN15	15	75	60
3/4"	DN20	20	80	65
1"	DN25	25	90	75
1 1/4"	DN32	32	110	80
1 1/2"	DN40	38	120	85
2"	DN50	49	140	95
2 1/2"	DN65	65	185	100
3"	DN80	78	205	118
4"	DN100	100	240	135



三片式手动对焊球阀

3PC-manual butt welding ball valve

3PC-Q61F-1000

技术要求

1. 阀门的设计与制造按 ANSI/ASME B16.34 的规定。
2. 对焊端标准按 ASME B16.25 的规定。
3. 阀门的检验与试验按 API 598 的规定。

Technical requirements

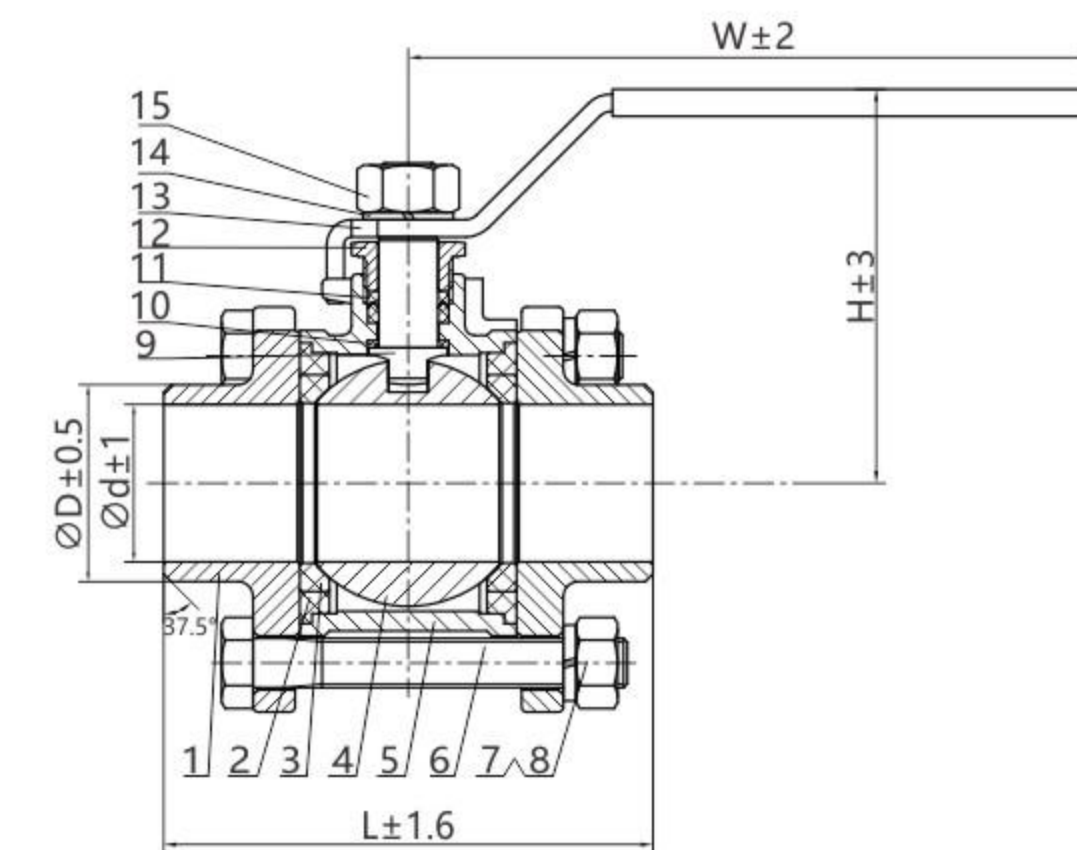
1. The design and manufacture of the valve are in accordance with the regulations of ANSI/ASME B16.34.
2. The standard for butt welding ends is as specified in ASME B16.25.
3. The inspection and test of the valve shall be in accordance with the provisions of API 598.

性能规范

Performance Specifications

公称压力 Nominal pressure		1000PSI	
试验压力 Test pressure	强度试验 Strength test	10.4	Mpa
	密封试验 Seal test	7.6	
	气密封试验 Air tightness test	0.6	
适用介质 Applicable media	水、油、气品等 Water, oil, gas, etc.		
适用温度 proper temperature	-29~+120°C		

序号 Number	零件名称 Name	材质 Material		
1	阀盖 cap	A351 CF8	A351 CF8M	A216 WCB
2	密封线 sealing line	PTFE	PTFE	PTFE
3	阀座 valve seat	PTFE	PTFE	PTFE
4	球体 sphere	SS304	SS316	SS304
5	阀体 valve body	A351 CF8	A351 CF8M	A216 WCB
6	螺栓 bolt	SS304	SS304	SS304
7	弹垫 spring pad	SS304	SS304	SS304
8	螺母 nut	SS304	SS304	SS304
9	阀杆 stem	SS304/SS316	SS316	SS304/SS316
10	减磨垫 Anti-wear pads	PTFE	PTFE	PTFE
11	填料 filler	PTFE	PTFE	PTFE
12	压盖 gland	SS304	SS304	SS304
13	手柄 handle	SS304	SS304	SS304
14	弹垫 spring pad	SS304	SS304	SS304
15	螺母 nut	SS304	SS304	SS304



尺寸 Dimensions

Unit:mm

SIZE		d	D	L	H	W
1/2"	DN15	15	22	71	50	95
3/4"	DN20	20	26.5	78	60	110
1"	DN25	25	31.2	92	66	125
1¼"	DN32	32	39.3	101.5	78	135
1½"	DN40	38	47.2	111	85	140
2"	DN50	49	57.2	137.5	95	165
2½"	DN65	64	74	178	123	220
3"	DN80	78	90.3	198	140	220
4"	DN100	98	111	242	156	300



三片式手动活套球阀

3PC-Manual looper ball valve

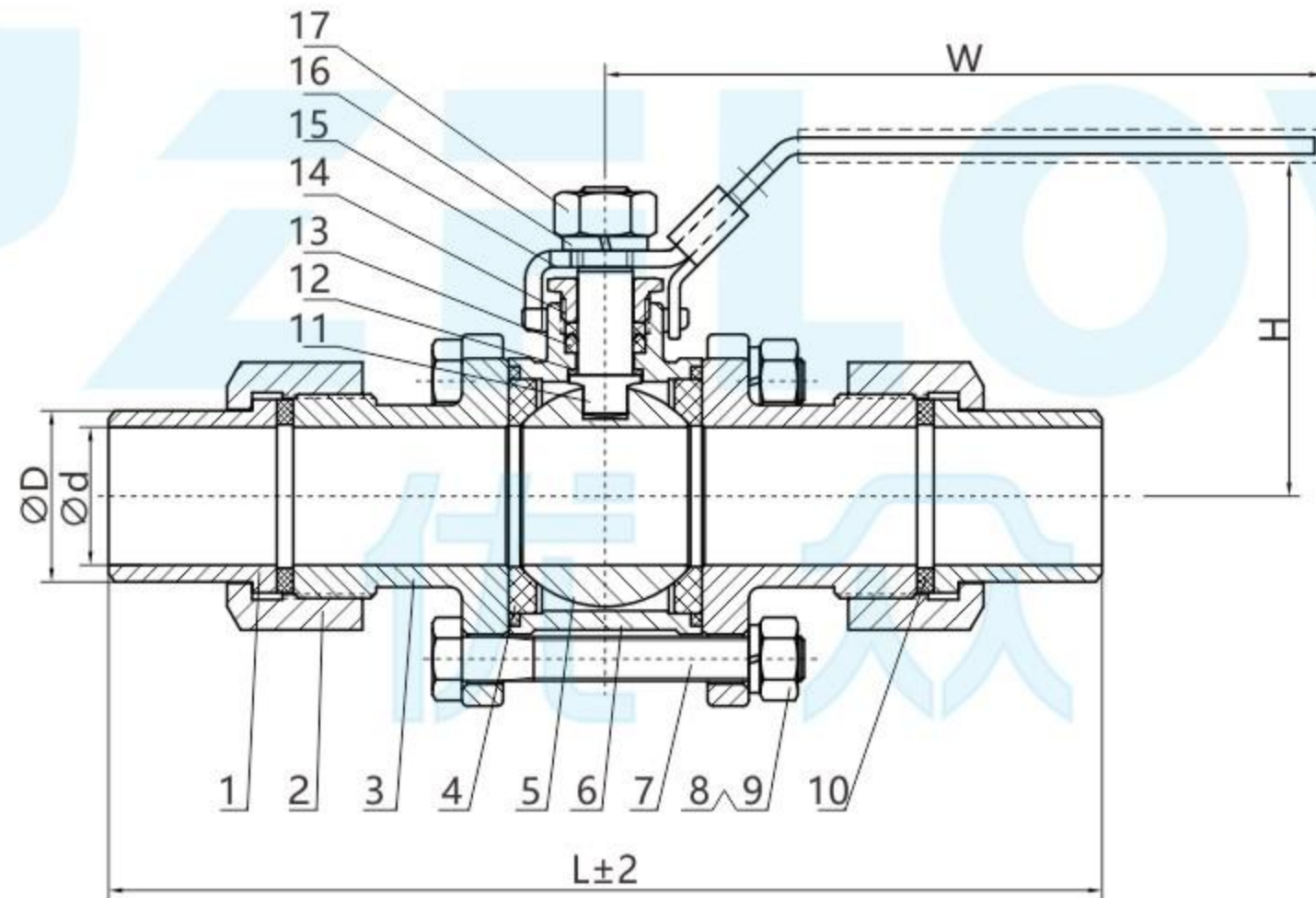
3PC-Q21F-1000

技术要求

1. 阀门的设计与制造按 ANSI/ASME B16.34的规定。
2. 对焊端标准按 ASTM269/ISO1127/EN12627的规定。
3. 阀门的检验与试验按 API 598的规定。

Technical requirements

1. The design and manufacture of the valve are in accordance with the regulations of ANSI/ASME B16.34.
2. The standard for butt welding ends shall be in accordance with ASTM269/ISO1127/EN12627.
3. The inspection and test of the valve shall be in accordance with the provisions of API 598.



尺寸 Dimensions

Unit:mm

SIZE	DN	L	L1	D	H	W
DN15	15	153	112	21.7	52	110
DN20	20	167	122	27.2	63	120
DN25	25	176	133	34	67	130
DN32	32	204	151	42.7	80	140
DN40	38	220	165	48.6	93	175
DN50	49	250	182	60.5	110	175

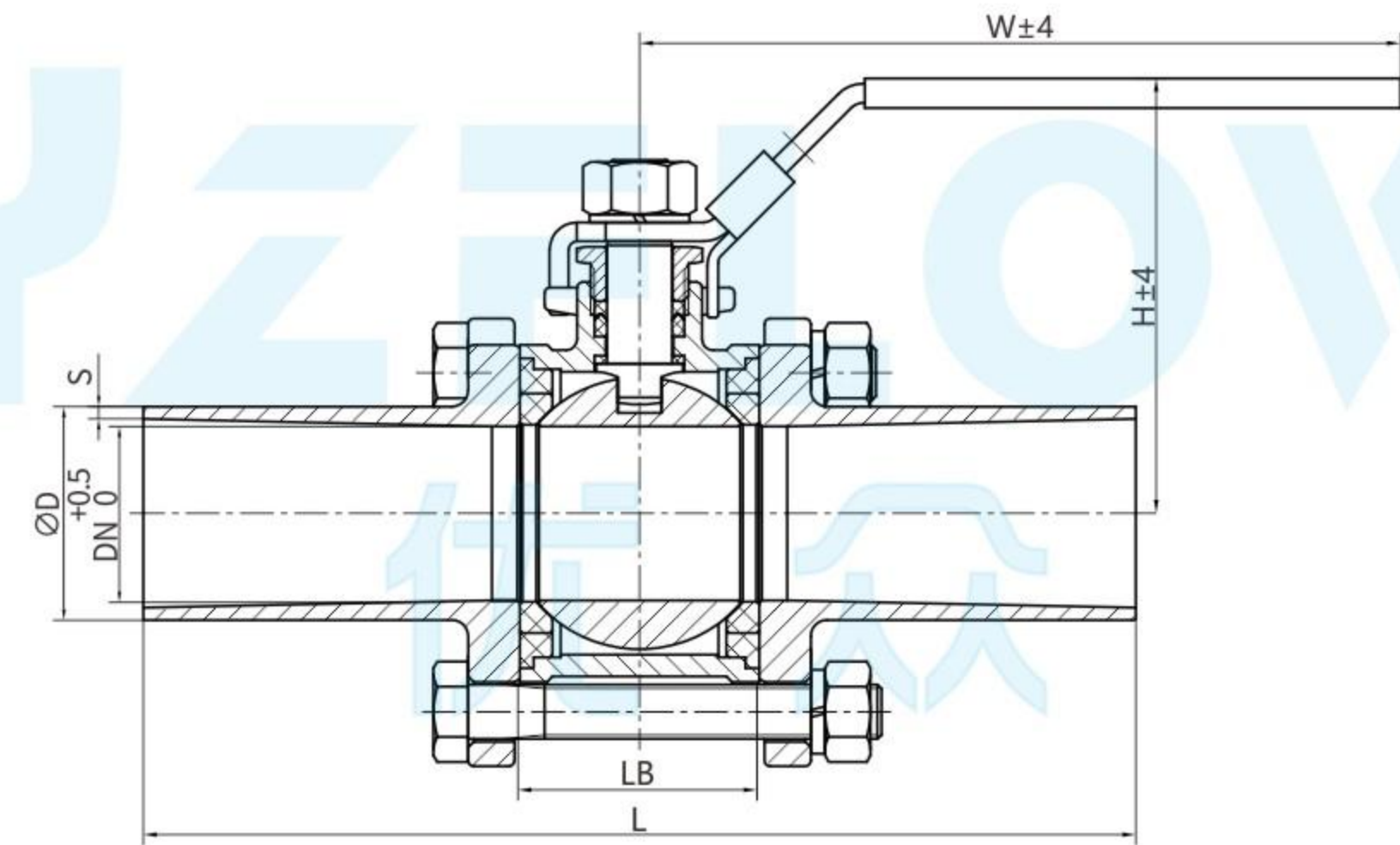
标准/STANDARDS:

- 设计标准/Design:ANSI B16.34,API608.
壁厚标准/Wall Thickness:ANSI B16.34,EN12516-3.
螺纹标准/Pipe Thread:ANSI B1.20.1;BS21;DIN 2999/259;ISO 228/1;ISO7/1;JIS B0203.
承插端标准/ASME B16.10.
对焊端标准/ASME B16.25/ISO1127/EN12627.
法兰端标准/ASME B16.5 CLASS 150/300;
EN1092-1 (HG20592 GB/T9113) PN10-PN40;
JIS B2238 10K/20K.
检测标准/Inspection&Testing:API 598;EN12266.

三片式手动加长对焊球阀

3PC-Manual Extended Butt Welding Ball Valve

3PC-Q61F-1000



尺寸 Dimensions

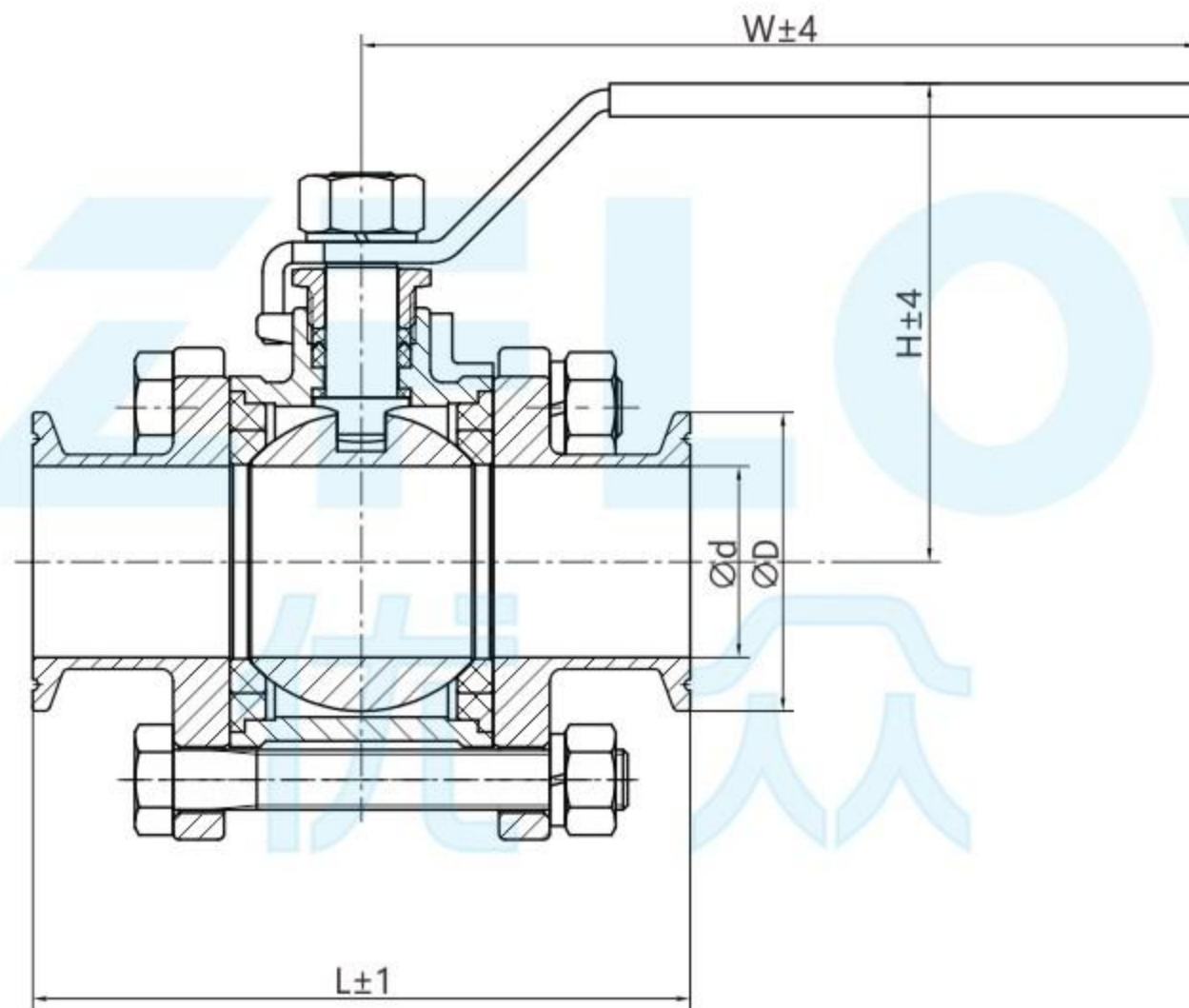
Unit:mm

SIZE	DN	L	LB	H	W	D	S
1/2"	DN15	15	225	26	77	120	21.3
3/4"	DN20	20	230	31	81.5	120	26.9
1"	DN25	25	236	37	90	140	33.7
1¼"	DN32	32	245	45	94.5	140	42.4
1½"	DN40	38	254	54	104	190	48.3
2"	DN50	49	265	65	112	190	60.3
2½"	DN65	65	285	85	123	230	76.1
3"	DN80	76	297	98	145	260	88.9
4"	DN100	100	325	125	170	300	114.3

三片式手动快装球阀

3PC-Manual quick-loading ball valve

3PC-Q81F-1000



尺寸 Dimensions

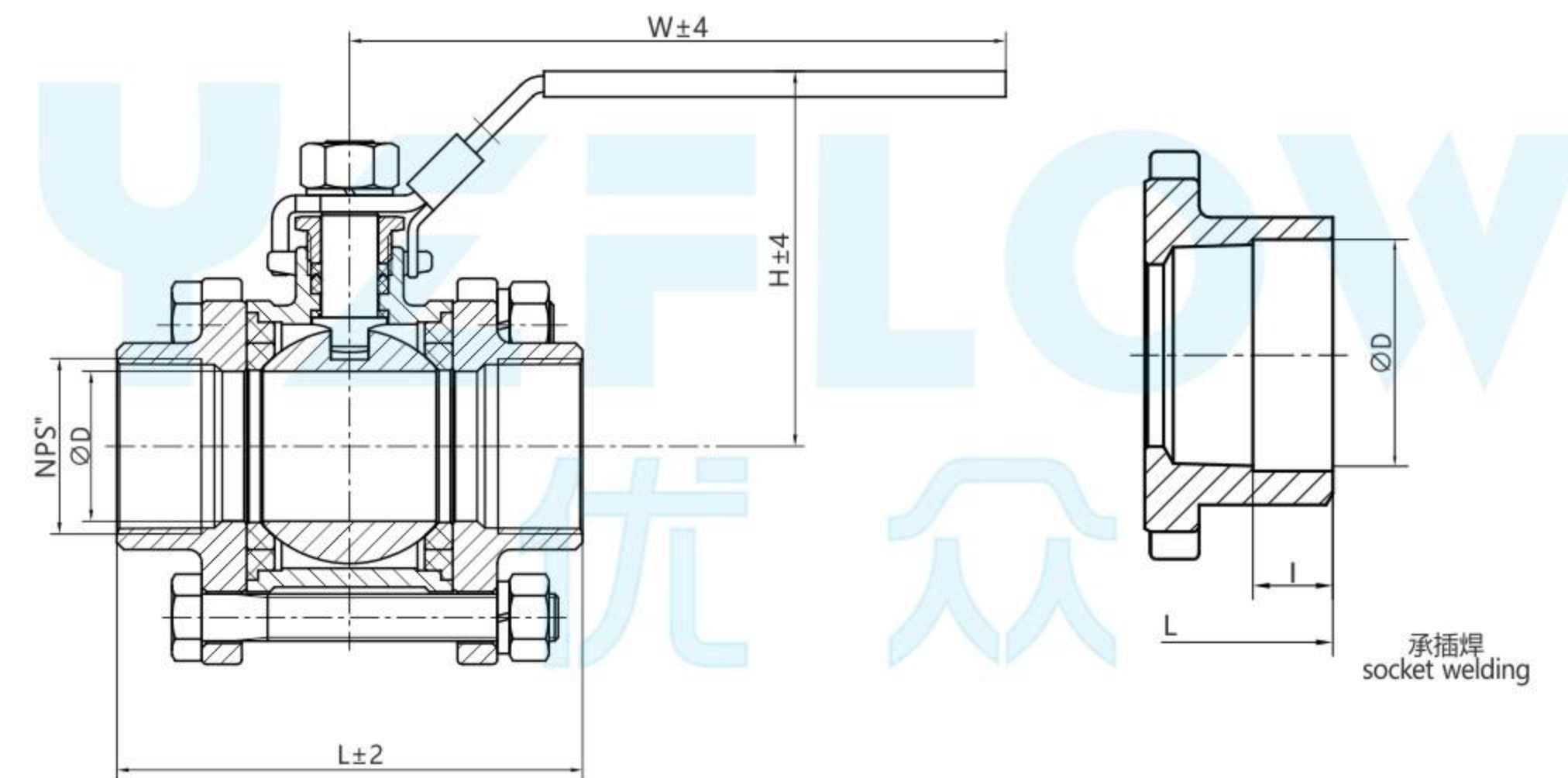
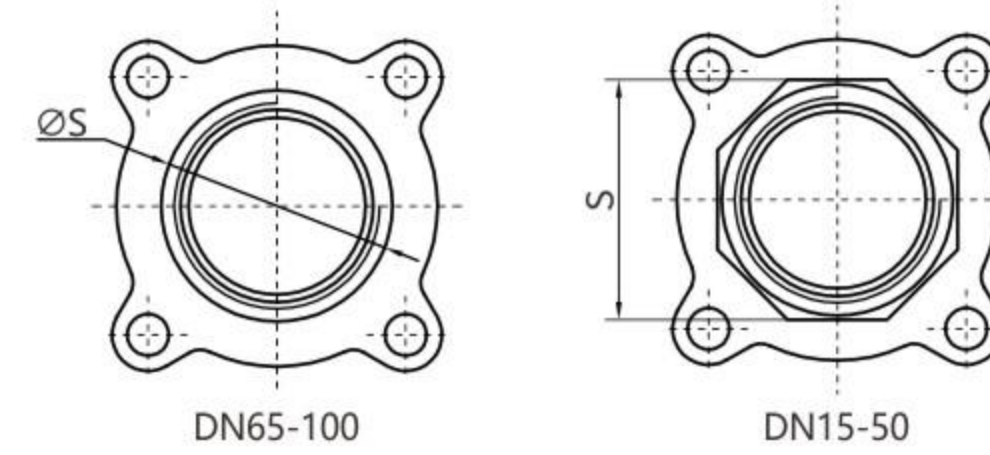
Unit:mm

SIZE		d	L	H	W	D
1/2"	DN15	15	102	58	100	50.5
3/4"	DN20	20	108	60	100	50.5
1"	DN25	25	115	75	125	50.5
1¼"	DN32	32	127	83	130	50.5
1½"	DN40	38	138	88	165	50.5
2"	DN50	49	156	92	165	64
2½"	DN65	63	193	123	215	77.5
3"	DN80	78	204	135	235	91
4"	DN100	100	252	155	300	119

三片式手动螺纹球阀

3PC-Manual Threaded Ball Valve

3PC-Q11F-1000



尺寸 Dimensions

Unit:mm

NPS		d	S	L	H	W	D	I
1/2"	DN15	15	27	70	55	105	22.2	9.5
3/4"	DN20	20	32	78	62	110	27.6	12.5
1"	DN25	25	39	86	73	120	34.3	12.5
1¼"	DN32	32	49	104	85	135	43.1	12.5
1½"	DN40	38	54	110	90	165	49.2	12.5
2"	DN50	50	67	130	100	170	61.7	16
2½"	DN65	65	87	168	140	200	74.4	16
3"	DN80	78	98	192	145	215	90.3	16
4"	DN100	100	123	235	155	300	115.7	19

三片式高平台螺纹球阀

3PC-High Platform Threaded Ball Valve

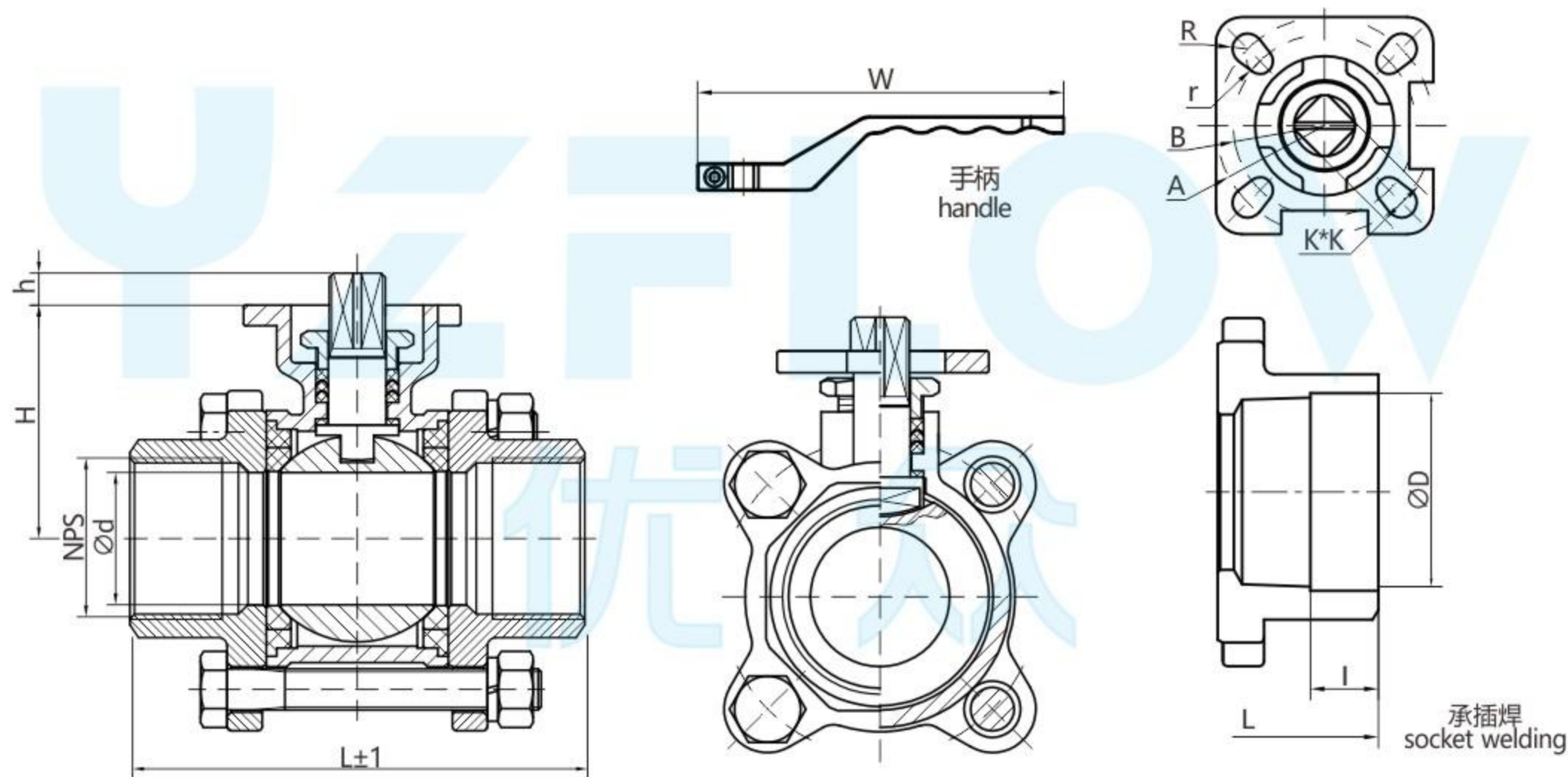
3PC-Q11F-1000

技术要求

1. 阀门的设计与制造按 ANSI/ASME B16.34的规定。
2. 阀门的连接螺纹按 ISO 7/1或 ANSI/ASME B1.20.1的规定。
3. 对焊端标准按 ASME B16.25/ASTM269/ISO1127/EN12627
4. 阀门的检验与试验按 API 598的规定。

Technical requirements

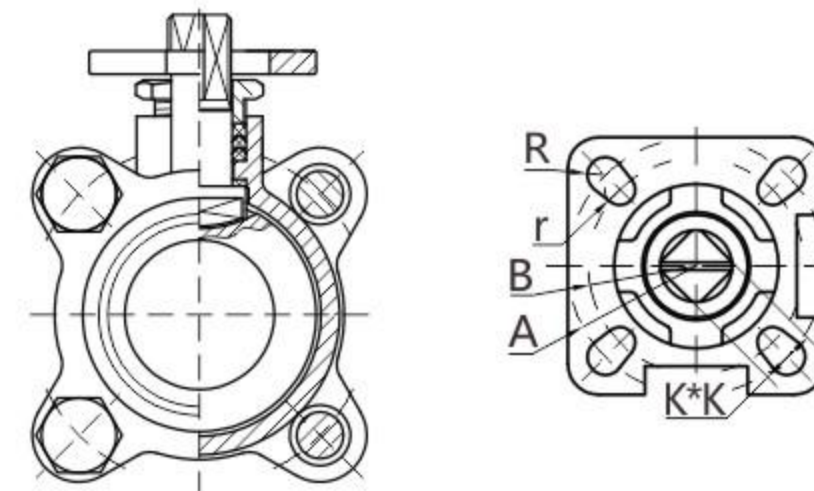
1. The design and manufacture of the valve are in accordance with the regulations of ANSI/ASME B16.34.
2. The connecting thread of the valve shall be in accordance with ISO 7/1 or ANSI /ASME B1.20.1.
3. The standard for butt welding ends is in accordance with ASME B16.25/ASTM269 /ISO1127/EN12627
4. The inspection and test of the valve shall be in accordance with the provisions of API 598.



尺寸 Dimensions

Unit:mm

NPS	DN	d	L	H	W	A	B	R	r	K*K	h	D	I
1/2"	15	15	69	37	140	50	42	3.5	3	9*9	10	22.2	9.5
3/4"	20	20	77	45	140	50	42	3.5	3	9*9	10	27.6	12.5
1"	25	25	87	55	170	50	42	3.5	3	11*11	12	34.3	12.5
1 1/4"	32	32	100	60	170	50	42	3.5	3	11*11	12	43.1	12.5
1 1/2"	40	38	106	70	200	70	50	4.5	3.5	14*14	15	49.2	12.5
2"	50	50	130	77	200	70	50	4.5	3.5	14*14	15	61.7	16
2 1/2"	65	65	166	98	300	102	70	5.5	4.5	17*17	18	74.4	16
3"	80	76	193	112	300	102	70	5.5	4.5	17*17	18	90.3	16
4"	100	100	235	140	300	102	70	5.5	4.5	19*19	18	115.7	19



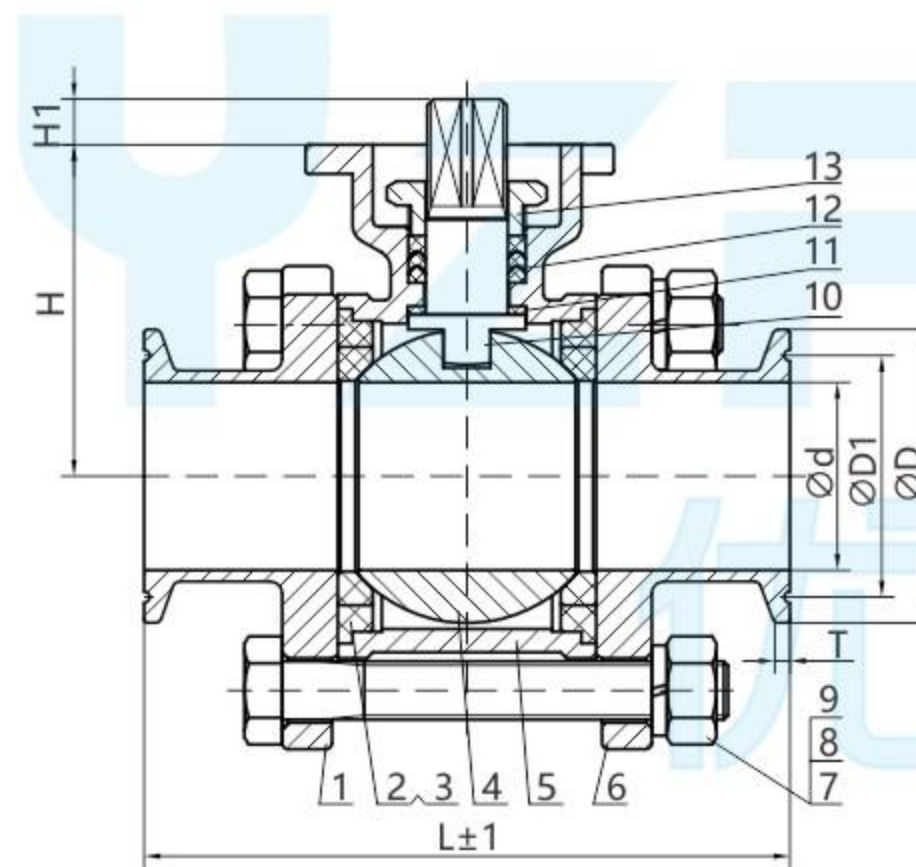
三片式高平台快装球阀

3PC-High Platform Quick Load Ball Valve

3PC-Q81F-1000

主要部件及材料 Main components and materials

序号 Number	零件名称 Part name	材质 Material	
1	端盖 end cap	A351 CF8M	A351 CF8
2	密封线 sealing line	PTFE	PTFE
3	阀座 valve seat	PTFE	PTFE
4	球体 sphere	SS316	SS304
5	阀体 valve body	A351 CF8M	A351 CF8
6	端盖 end cap	A351 CF8M	A351 CF8
7	螺栓 bolt	SS304	SS304
8	弹垫 spring pad	SS304	SS304
9	螺母 nut	SS304	SS304
10	阀杆 stem	SS316	SS304
11	减磨垫 Anti-wear pads	PTFE	PTFE
12	V型填料 V-shaped packing	PTFE	PTFE
13	并帽 And cap	SS304	SS304



尺寸 Dimensions

Unit:mm

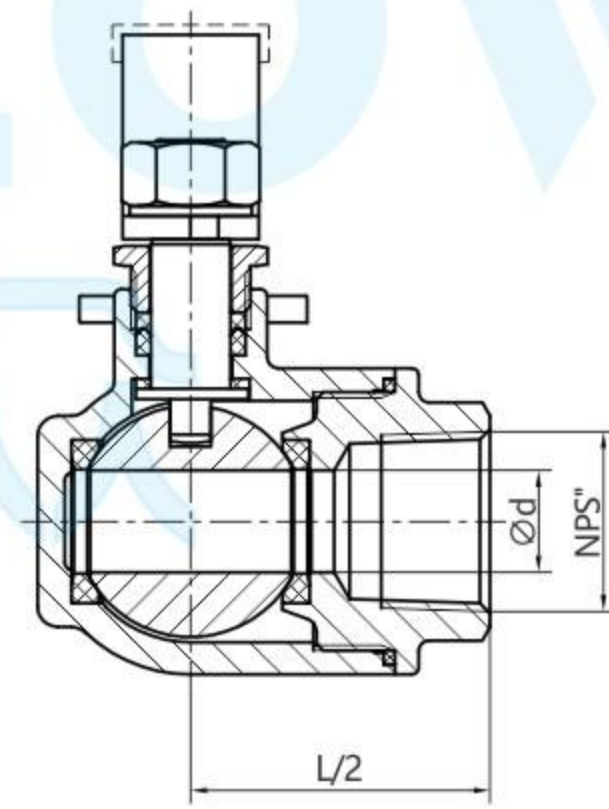
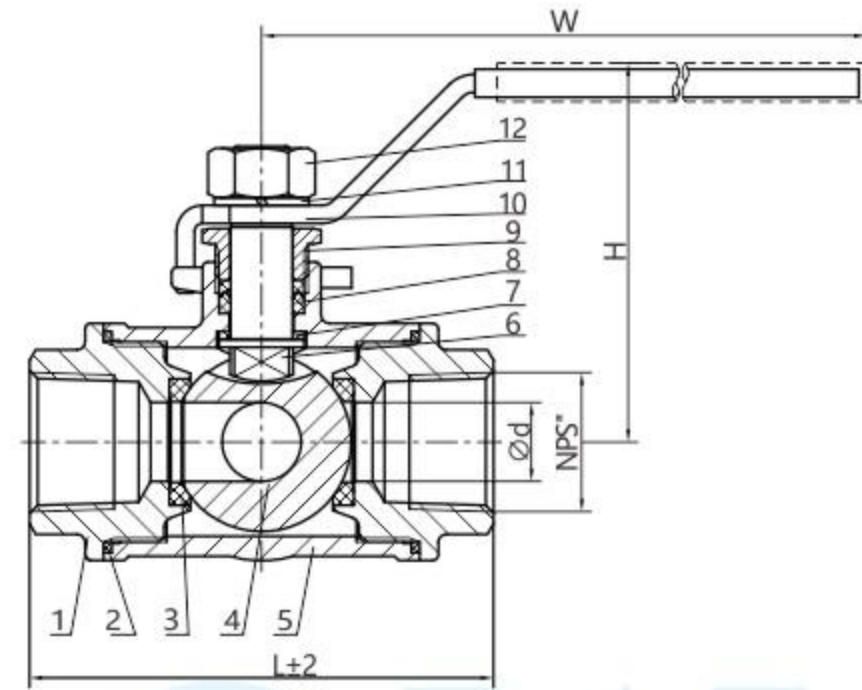
SIZE	d	L	H	H1	D	D1	T	A	B	R	r	K
1/2"	DN15	15	100	43	10	50.5	43.5	2.85	42	36	3	9
3/4"	DN20	20	108	45	10	50.5	43.5	2.85	42	36	3	9
1"	DN25	25	112	54	12	50.5	43.5	2.85	50	42	3.5	11
1 1/4"	DN32	32	128	65	12	50.5	43.5	2.85	50	42	3.5	11
1 1/2"	DN40	38	140	70	15	50.5	43.5	2.85	70	50	3.5	14
2"	DN50	49	157	82	15	64	56.5	2.85	70	50	3.5	14
2 1/2"	DN65	63	193	93	18	77.5	70.5	2.85	102	70	4.5	17
3"	DN80	78	204	112	18	91	83.5	2.85	102	70	4.5	17

三通螺纹球阀

Three-way threaded ball valve

Q14(5)F-1000

序号 Number	代号 Code	名称 Name	数量 Quantity	材料 Material	重量 Weight	备注 Remark
1	GQ15F-1000F-01	阀盖 Cap	3	A351 CF8 /CF8M	单件总计 single total	
2	GQ15F-1000F-02	密封线 Sealing line	3	PTFE/RPTFE		
3	GQ15F-1000F-03	密封圈 Sealing ring	4	PTFE/RPTFE		
4	GQ15F-1000F-04	球体 Sphere	1	SS304/SS316		
5	GQ15F-1000F-05	阀体 Valve body	1	A351 CF8 /CF8M		
6	GQ15F-1000F-06	阀杆 Stem	1	SS304/SS316		借用件 Borrow Piece
7	GQ15F-1000F-07	减磨垫 Anti-wear pads	1	PTFE		借用件 Borrow Piece
8	GQ15F-1000F-08	填料 Filler	1	PTFE		借用件 Borrow Piece
9	GQ15F-1000F-09	压盖 Gland	1	SS304		借用件 Borrow Piece
10	GQ15F-1000F-12	手柄 Handle	1	SS201		借用件 Borrow Piece
15	GB93-87	垫圈 Washer	1	SS304		标准件 Standard Parts
16	GB/T 6170-2000	螺母 Nut	1	SS304		标准件 Standard Parts



尺寸 Dimensions

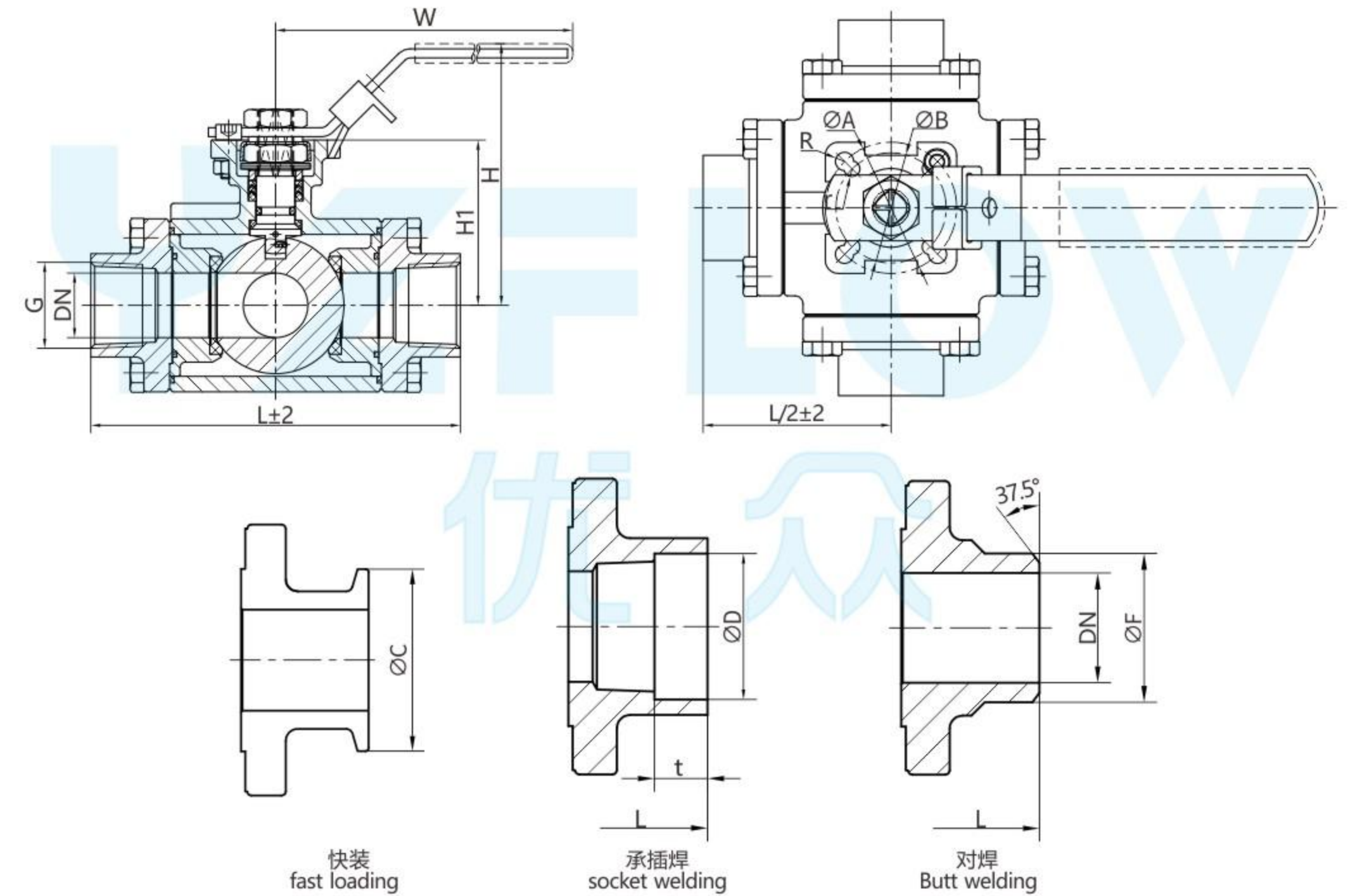
Unit:mm

NPS	DN	d	L	H	W
1/2"	15	12	71	58	115
3/4"	20	15	80	60	120
1"	25	20	87	70	135
1 1/4"	32	25	110	82	145
1 1/2"	40	32	128	90	175
2"	50	38	142	98	175
2 1/2"	65	48	178	170	205

三通/四通球阀

Three/four-way ball valve

Q14(5)F-1000



尺寸 Dimensions

Unit:mm

SIZE	DN	L	D	t	F	C	H	H1	W	A	B	R	r
DN15	15	100	22.2	9.5	21.7	50.5	75	44	134	42	36	3	3
DN20	20	110	27.6	12.5	27.5	50.5	90	56.5	134	50	42	3.5	3
DN25	25	143	34.3	12.5	34	50.5	102	64	170	50	42	3.5	3
DN32	32	146	43.1	12.5	42.7	50.5	124	78	215	70	50	4.5	3.5
DN40	40	164	49.2	12.5	48.6	50.5	150	96	300	102	70	6	5
DN50	50	184	61.7	16	60.5	64.0	158	100	300	102	70	6	5

三通高平台内螺纹球阀

Three-way high platform female thread ball valve

Q14(5)F-1000

技术要求

1. 阀门的设计与制造按ANSI/ASME B16.34的规定。
2. 阀门的连接螺纹按ISO 7/1或ANSI/ASME B1.20.1的规定。
3. 阀门的检验与试验按API 598的规定。

Technical requirements

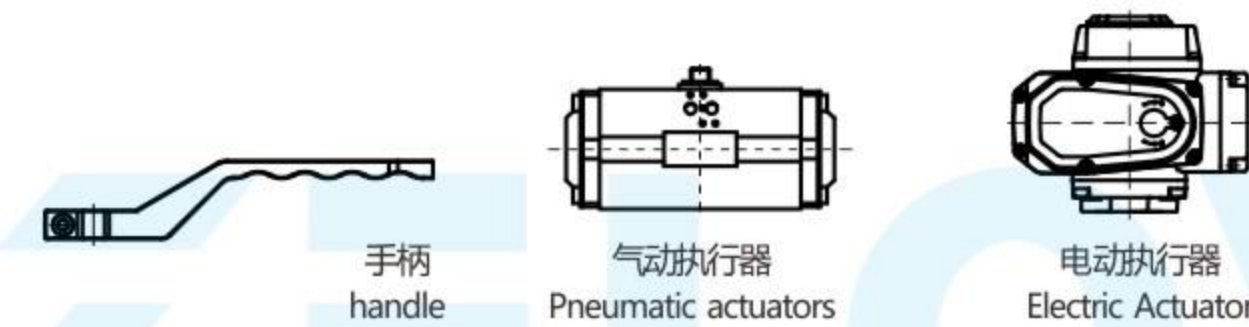
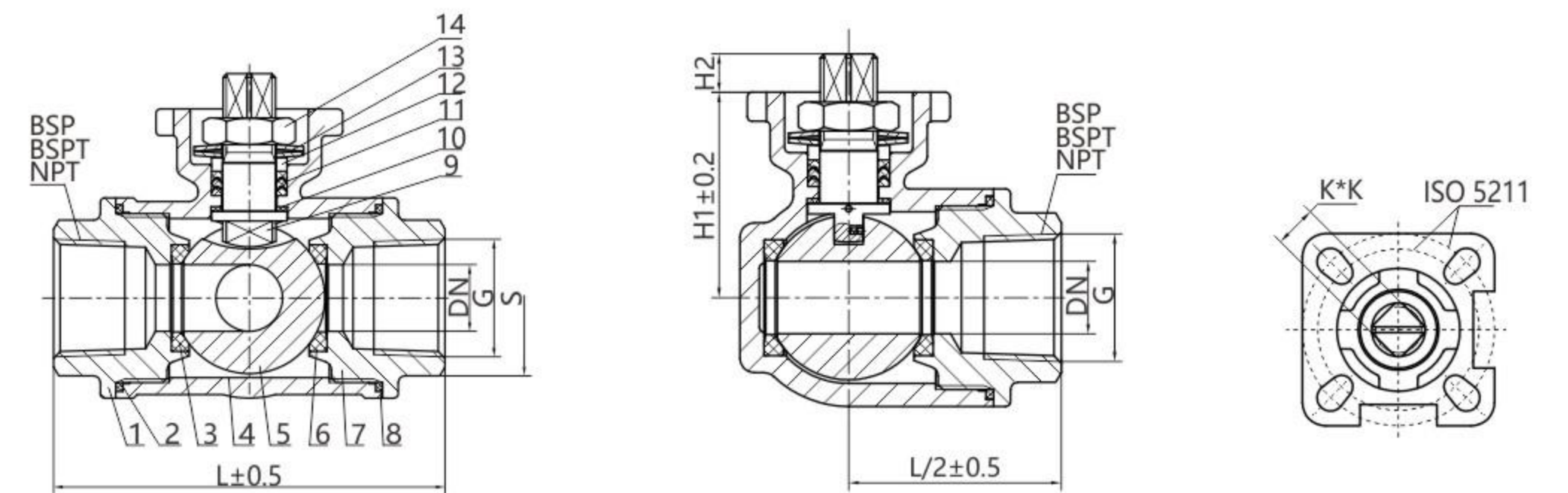
1. The design and manufacture of the valve are in accordance with the regulations of ANSI/ASME B16.34.
2. The connection thread of the valve is in accordance with ISO 7/1 or ANSI/ASME B1.20.1.
3. The inspection and test of the valve shall be in accordance with the provisions of API 598.

性能规范

Performance Specifications

公称压力 Nominal pressure		1000PSI	
试验压力 Test pressure	强度试验 Strength test	10.4	Mpa
	密封试验 Seal test	7.6	
	气密封试验 Air tightness test	0.6	
适用介质 Applicable media	水、油、气品等 Water, oil, gas, etc.		
适用温度 proper temperature	-29~+120°C		

序号 Number	零件名称 Name	材质 Material	
1	阀盖	CF8	CF8M
2	密封线	PTFE	PTFE
3	阀座	PTFE	PTFE
4	阀体	CF8	CF8M
5	球体	SS304	SS316
6	阀座	PTFE	PTFE
7	阀盖	CF8	CF8M
8	密封线	PTFE	PTFE
9	阀杆	F304	F316
10	止推垫	PTFE	PTFE
11	填料	PTFE	PTFE
12	填料压盖	CF8	CF8
13	蝶簧	SS304	SS304
14	螺母	SS304	SS304



尺寸 Dimensions

SIZE	d	L	G	S(六角对边)	H1	H2	K*K	ISO 5211
1/4"	DN8	10	70	1/4"	24	35	9	F03/F04
3/8"	DN10	12	70	3/8"	24	35	9	F03/F04
1/2"	DN15	12	72	1/2"	24	36	9	F03/F04
3/4"	DN20	15	80	3/4"	30	37	9	F03/F04
1"	DN25	20	87	1"	38	48	12	F04/F05
1¼"	DN32	25	112	1¼"	48	58	12	F04/F05
1½"	DN40	32	130	1½"	55	70	15	F05/F07
2"	DN50	38	143	2"	67	78	15	F05/F07
2½"	DN65	48	172	2½"	85	100	18	F07/F10
3"	DN80	65	235	3"	99	112	18	F07/F10



快装三通球阀
Quick Fit Three-Way
Ball Valve

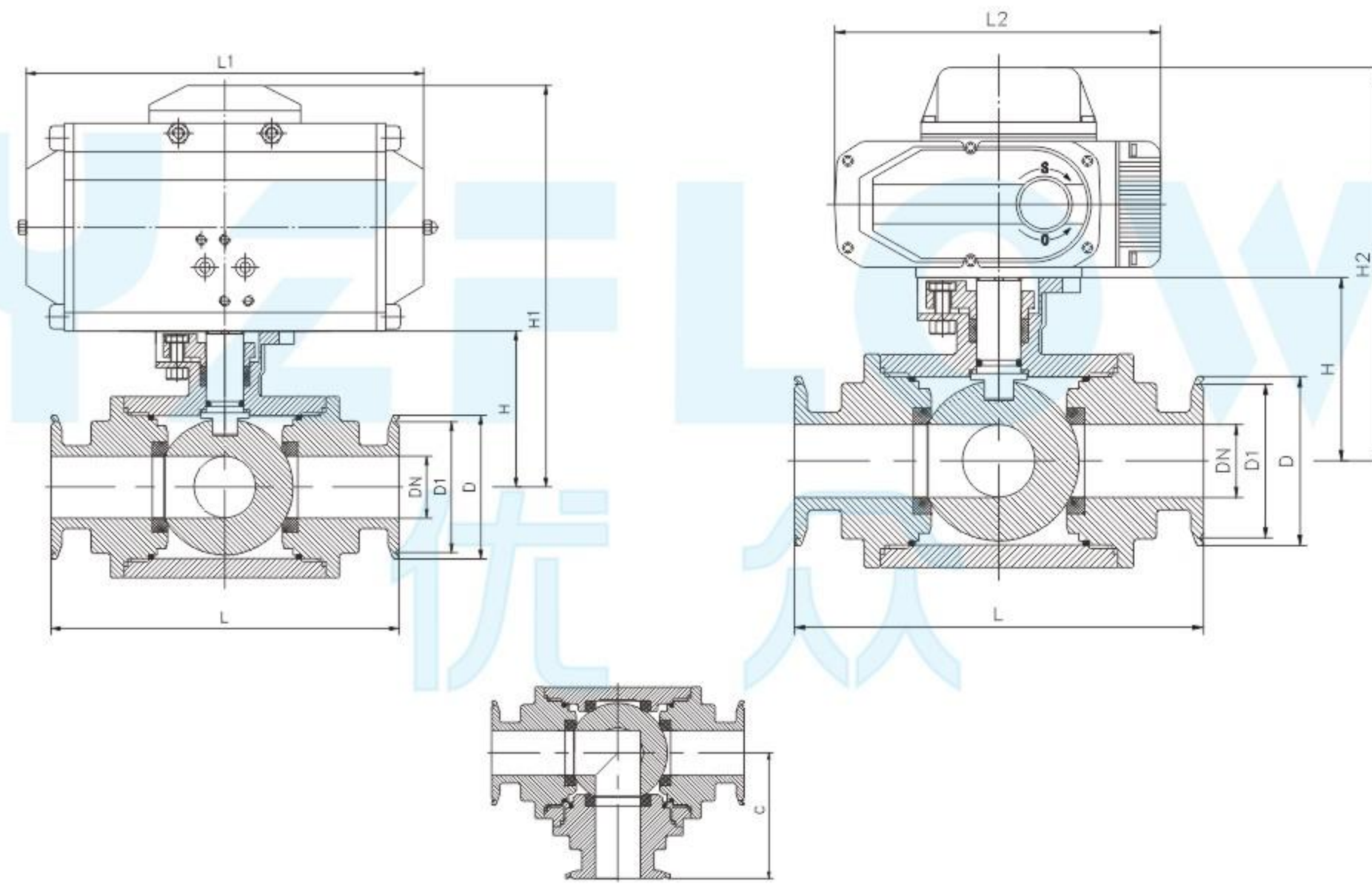
Q84F-1000

性能规范 Performance specification

公称压力 Nominal pressure : PN1.6, 2.5, 4.0, 6.4MPa
强度试验压力 Strength test pressure : PT2.4, 3.8, 6.0, 9.6MPa
低压气密封试验压力 Low pressure gas seal test pressure : 0.6MPa
适用温度 Applicable temperature : -20~180°C

适用介质 Applicable medium

Q11F- (16-64) C水、油品、气 (water, oil, gas)
Q11F- (16-64) P硝酸类 (nitric acid)
Q11F- (16-64) R醋酸类 (acetateu)



尺寸 Dimensions

Unit:mm

规格 Specification	卡盘 接口 Chuck interface	D	H	H1	H2	h	L	L1	L2	C	C1	C2	ISO-5211		S	
													A	B		
DN15	1/2"	φ50.5	12	37	121/135	158	10	100	110/155	166	50	30/41.5	108	F04	F05	9
DN20	3/4"	φ50.5	15	39	137	160	10	100	110	166	50	41.5	108	F04	F05	9
DN25	1"	φ50.5	18	48	146/163	169	10	111	155/175	166	55.5	41.5/47	108	F04	F05	11
DN32	1¼"	φ50.5	25	56	183	177	10	140	190	166	70	53	108	F04	F05	11
DN40	1½"	φ50.5	32	68	203	189	14	160	215	166	80	57	108	F05	F07	14
DN50	2"	φ64	38	74	209	195	14	180	215	166	90	57	108	F05	F07	14
DN65	2½"	φ77.5	49	96	239/257	248	18		278	215		58.5/64	143	F07	F10	17
DN80	3"	φ92	83	103	264/298	273	18		310	260		64/74	165	F07	F10	17

性能规范 Performance specification

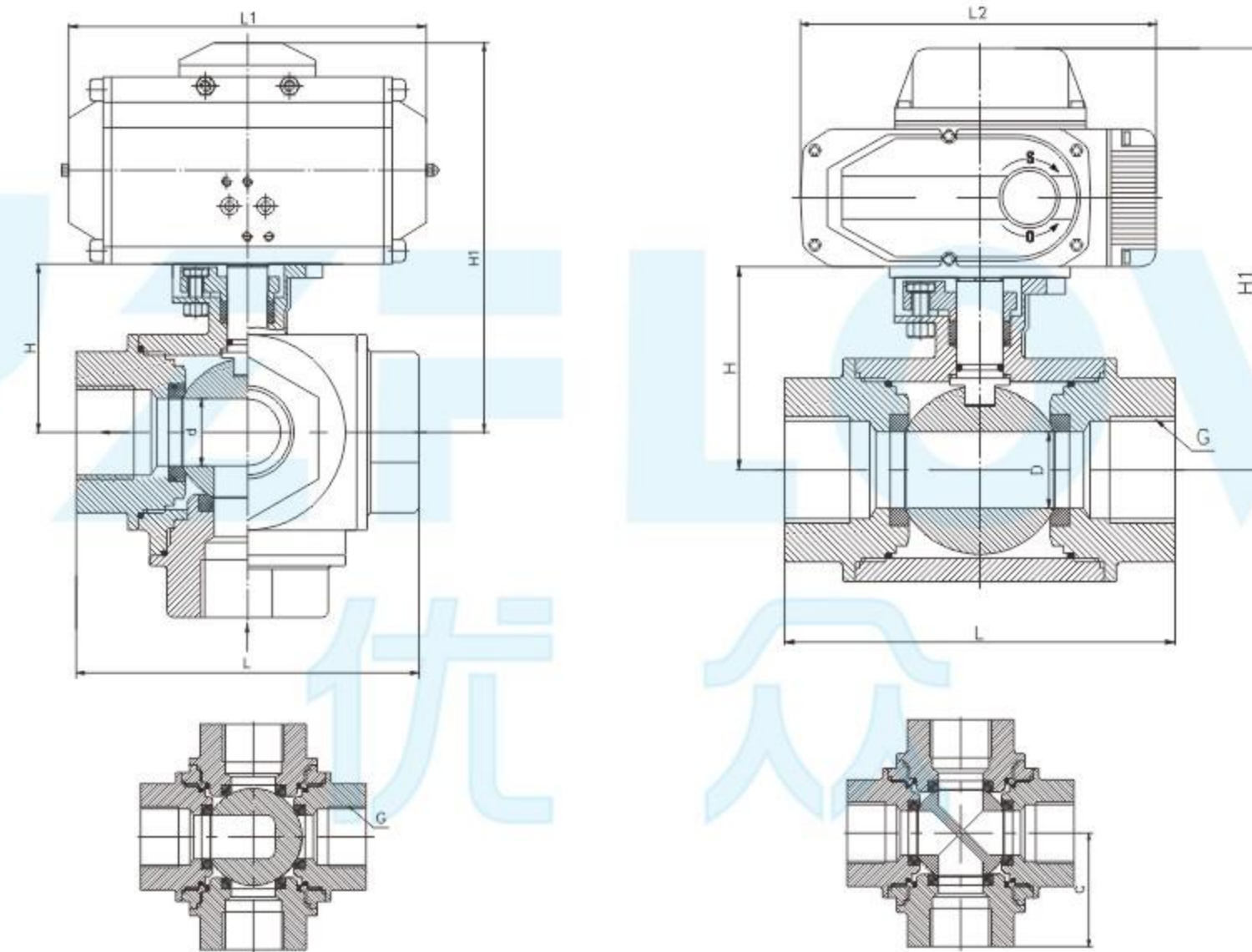
公称压力 Nominal pressure : PN1.6, 2.5, 4.0, 6.4MPa
强度试验压力 Strength test pressure : PT2.4, 3.8, 6.0, 9.6MPa
低压气密封试验压力 Low pressure gas seal test pressure : 0.6MPa
适用温度 Applicable temperature : -20~180°C

适用介质 Applicable medium

Q11F- (16-64) C水、油品、气 (water, oil, gas)
Q11F- (16-64) P硝酸类 (nitric acid)
Q11F- (16-64) R醋酸类 (acetateu)

四通/五通球阀
Quick Fit Three-Way
Ball Valve

Q16F-1000



尺寸 Dimensions

Unit:mm

规格 Specification	螺纹 接口 Thread interface	D	H	H1	H2	h	L	L1	L2	C	C1	C2	ISO-5211		S
													A	B	
DN8	1/4"	8	46	131/144	104	10	70	110/155	69	30/41.5	35	30	F04	F05	9
DN10	3/8"	10	46	131/144	104	10	70	110/155	69	30/41.5	35	30	F04	F05	9
DN15	1/2"	12	46	131/144	104	10	70	110/155	69	30/41.5	35	30	F04	F05	9
DN20	3/4"	15	48	146	130	10	80	115	110	41/5	40	45	F04	F05	9
DN25	1"	18	75	170	137	10	86	175	110	47	43	45	F04	F05	11
DN32	1¼"	25	65	192	147	10	108	190	110/168	53	54	45/73	F04	F05	11
DN40	1½"	32	73	208	218	14	128	215	168	57	64	73	F07	F07	14
DN50	2"	38	78	213	223	14	142	215	168	57	71	73	F07	F07	14
DN65	2½"														
DN80	3"														
DN100	4"														